

FRONT HOPPER



NEW



Capacity: 2,750 l (45/55% split)
Metering: Twin unit, twin hopper
Weight: 730 kg

- ✓ Pressurised metering
- ✓ ISOCAN terminal
- ✓ ISOBUS compatible
- ✓ Variable rate compatible
- ✓ Metering wheel options
- ✓ Hopper level sensors
- ✓ Road cameras
- ✓ Work lights
- ✓ Toolbox
- ✓ Foldable front footstep



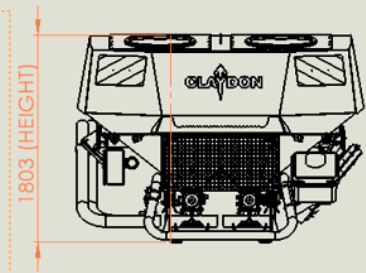
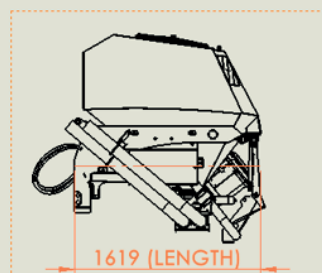
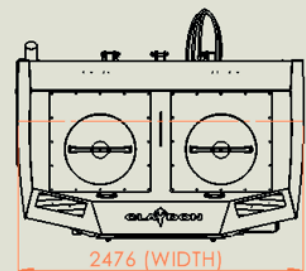
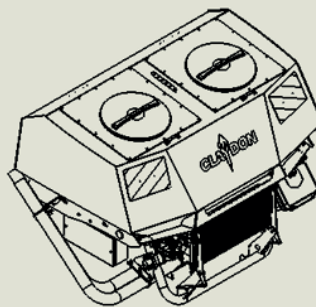
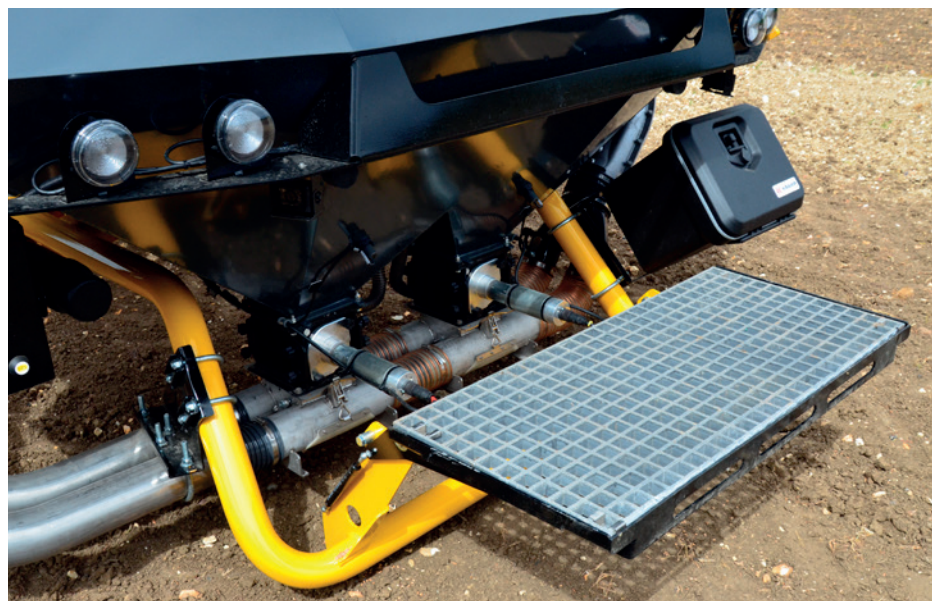
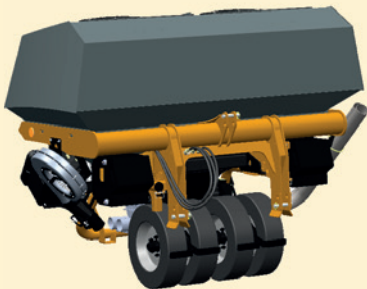
Establishing a better way
claydondrill.com

Features

- ✓ **Pressurised**
For reliable high volume material delivery
- ✓ **Flexible seed delivery**
With the airbox selector, seed can be distributed to either distribution pipes or combined into one pipe.
- ✓ **ISOBUS compatible**
ISOBUS socket required on front and back of tractor or a T harness (connecting socket on back of tractor with cable along side to connect to front hopper)
- ✓ **Variable rate**
Task controller and license key dependent.
- ✓ **ISOCAN**
Terminal to control all front hopper and toolbar functions
- ✓ **Metering wheels**
Small, medium and large sizes to suit a wide range of seed and fertiliser
- ✓ **2 hopper sensors**
One low level and one empty hopper
- ✓ **Work lights**
- ✓ **Road vision camera x 2**
- ✓ **Toolbox**

Options

- ✓ **Ballast 550 kg**
- ✓ **Packer wheels with passive steering and wheel scrapers**



info@claydondrill.com
claydondrill.com

CLD726 05/24


CLAYDON
Establishing
a better way